

1-phase Type 2 Surge Protector DS240 series

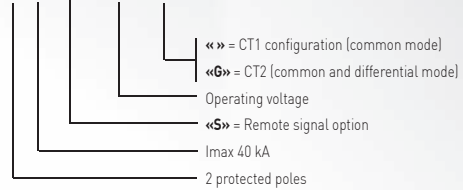
**Imax
40 kA**



DS240-400

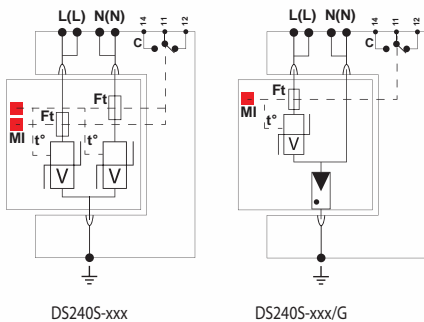
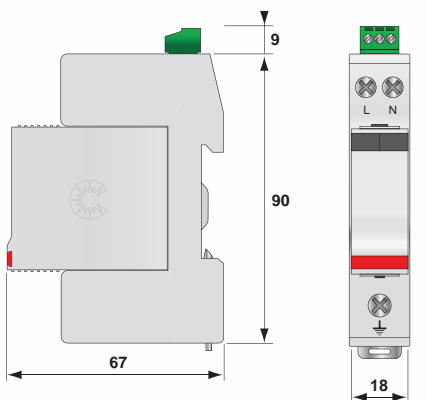
- **Compact single-phase Type 2 SPD**
- **Discharge currents : In : 20 kA / I_{max} : 40 kA**
- **Common/Differential mode**
- **Pluggable module**
- **Remote signaling contact (option)**
- **Complies with EN 61643-11 and IEC 61643-1**

DS240 S-xxx/G



Dimensions - Electrical diagram

(in mm)



V : High energy varistor
 GDT : High energy Gas tube
 Ft : Thermal fuse
 C : Remote signaling contact
 t° : Thermal disconnection system

Characteristics

CITEL part number	DS240-120	DS240-230	DS240-400
Single-phase network	120 V	230 V	230 V
Neutral configuration	TN	TN	TT-TN-IT
Max. operating voltage	U _c 150 Vac	255 Vac	400 Vac
Temporary overvoltage withstand	U _T 150 Vac	255 Vac	400 Vac
Operating current	I _c < 1 mA	< 1 mA	< 1 mA
Leakage current at U _c			
Protection mode(s)	MC/MD (2)	MC/MD (2)	MC
Nominal discharge current	I _n 20 kA	20 kA	20 kA
15 x 8/20 μs impulses			
Maximum discharge current	I _{max} 40 kA	40 kA	40 kA
max. withstand 8/20 μs			
UL Voltage Protection Rating	VPR 700V	1000V	1500V
Protection level (at I _n)	U _p 1.5/0.9 kV (2)	1.5/1.25 kV	1.8 kV
Admissible short-circuit current	10000 A	10000 A	10000 A
Associated disconnection devices			
Thermal disconnector	internal		
Fuses	Fuses type gG - 50 A max. (see Note 1)		
Installation ground fault breaker	Type «S» or delayed		
Mechanical characteristics			
Dimensions	see diagram		
Connection	by screw terminals : 1,5-10 mm ² (L/N) or 2,5-25 mm ² (PE)		
Disconnection indicator	2 (or 1) mechanical indicators		
Remote signaling of disconnection	Option DS240S - output on changeover contact		
Mounting	symmetrical rail 35 mm		
Operating temperature	-40/+85 °C		
Protection class	IP20		
Housing material	Thermoplastic UL94-V0		
Standards compliance			
NF EN 61643-11	France	Parafoudre Basse Tension - Essais Classe II	
IEC 61643-1	International	Low Voltage SPD - Test Class II	
EN 61643-11	Europe	Low Voltage SPD - Test Class II	
UL1449 3rd Edition	USA	Surge Protection Device (SPD) - Type 2	

Note 1: Rating in compliance with NF C15-100 art. 534.1.5.3. An order to increase service continuity, higher rating can be used (up to 125 A). For further information, please consult product instructions.

Note 2: MC = Common mode (L/PE ou N/PE) / MD = Differential mode (L/N)

Note 3: /G versions are available