

**Flexibox 460  
outdoor mounted**



Filter with tightening filter bracket



## FLEXIBOX 460 FREE COOLING FOR ELECTRONICS

Flexibox 460 is an outdoor-mounted free air cooler designed to control the internal environment of communication enclosures using minimal energy. By means of ventilation in an overpressure system the Flexibox efficiently removes excess heat from the temperature sensitive equipment – maintaining the temperature within defined limits.

The Flexibox can control two existing AC units, extend the AC service life and create immense power savings – even in very hot climates. Ask Dantherm for power savings calculations in your network.

With the built-in Dantherm CC4 Controller, it belongs to the 5<sup>th</sup> generation of Dantherm free cooling units. Yearlong know-how of control and energy efficiency is built in.

It is designed for long life duration and minimises installation and maintenance costs. The unit is light-weight and easy to install, with no compromise of quality or intrusion safety.

Every unit is delivered in a single package suitable for shipment to site. The package includes:

- Flexibox with built-in controller and sensor
- Indoor sensor for wall mounting
- Manuals

To achieve a fully functional installation an air outlet damper and air outlet hood is required.

## FEATURES AND BENEFITS

### Energy efficiency and environment

- Total heat management – designed for energy efficiency with maximum use of controlled ventilation.
- Certificates and approvals: CE, WEEE, ROHS & TÜV.
- Designed to UL and cUL.

### Cabinet

- Easy installation
- Outdoor mounting
- Constructed of weather resistant Aluzinc sheet metal (AZ150)
- G4 compact filter, washable
- Filter air tightening bracket

### Controller

- Dantherm CC4 – 48 VDC controller, integrated in the unit
- Control of external air conditioning unit(s)
- Control of external heater
- Control of motorised damper(s)
- Communication port RS 485, Modbus protocol
- Filter monitor

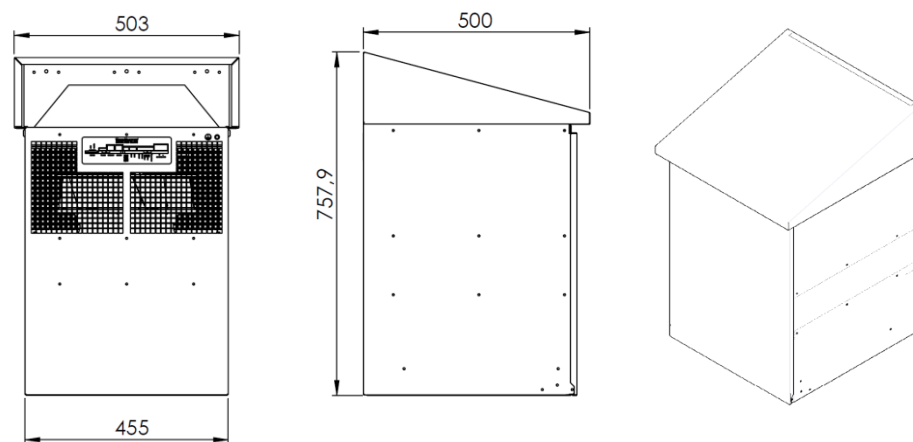
### Optional features

- Motorised air outlet dampers
- Exhaust air rain hood
- Optional F5 or F7 fine compact filter
- Optional LCD display with status and alarm functions

## TECHNICAL DATA FLEXIBOX 460

Version	Unit	48V DC (EC-fan)
Item number		368452
Nominal air flow	m <sup>3</sup> /h	1334
Nominal cooling capacity in W / K ( $\Delta t=1^{\circ}\text{C}$ )	W / K	400
Nominal fan power consumption (at 80% fan speed)	W	63
Nominal sound pressure at 1m distance from shelter	dB(A)	54
Fan nominal voltage	DC	48V DC (42-57V DC)
Maximum air flow	m <sup>3</sup> /h	1488
Maximum cooling capacity	W / K	466
Maximum current	A	2.0
Maximum power consumption	W	93
Filter	class	G4 compact, washable
Filter area	m <sup>2</sup>	0.75
Height	mm	758
Width	mm	455 (Hood: 503 mm)
Depth	mm	500
Weight	kg	24
Controller		Dantherm CC4
Fan		EBM
Approvals		CE, ROHS, TÜV

## DIMENSIONS



## FLOW - & CONNECTION CHART

