

AcuSplitCT Series 20/30/40/50/60A Hinged Split Core Current Transformers

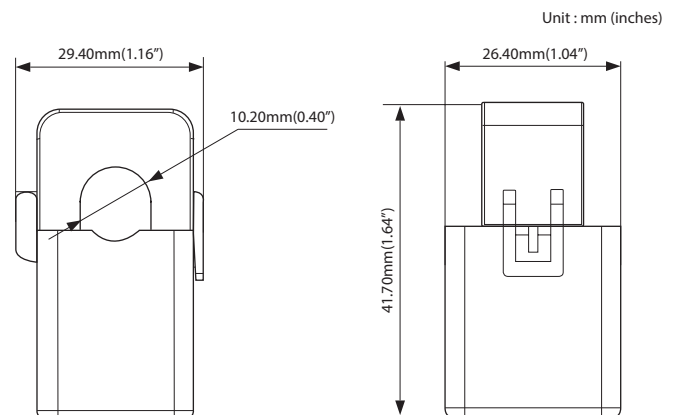
The Accuenergy hinged split core CTs are compact and low-cost current transformers with high accuracy. Designed with a single-click installation mechanism, the hinged CTs are ideal for quick and easy installation without disconnecting cables. The compact size is perfect for limited-space panels.



SPECIFICATIONS

| | |
|---|----------------------------------|
| Rated Input & Output | 333mV@ 20/30/40/50/60A AC |
| Accuracy | 0.5% |
| Frequency Range | 50-1KHz |
| Window Size | 0.4 Inch |
| Case Material | Black Nylon |
| Rated Voltage | 600 Vac, Category III |
| Note: Do not use 600V class CT in application with voltage greater than 600V L-L | |
| Operating Temperature | -15°C - 60°C |
| Certifications | UR & CE approved, RoHS compliant |

DIMENSIONS



ORDERING INFORMATION

| Ordering Number: | AcuCT- H040 - | Rated Input | : | 333 |
|-------------------|---------------|-------------|---|-----|
| Ordering Example: | AcuCT- H040 - | 20 | : | 333 |
| | | 20: 20A | | |
| | | 30: 30A | | |
| | | 40: 40A | | |
| | | 50: 50A | | |
| | | 60: 60A | | |



Accuenergy Corp.

Los Angeles-Toronto-Beijing

North America Toll Free: 1-877-721-8908

Web: www.accuenergy.com

Email: marketing@accuenergy.com

ACCUEENERGY
Your Power and Automation Partner

AcuSplitCT Series 50/100/150A

Hinged Split Core Current Transformers

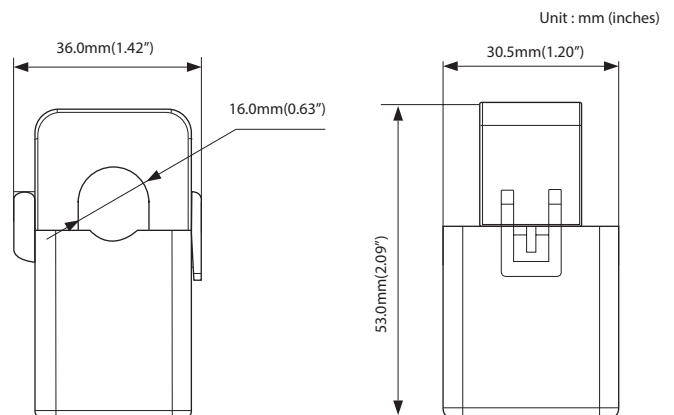
The Accuenergy hinged split core CTs are compact and low-cost current transformers with high accuracy. Designed with a single-click installation mechanism, the hinged CTs are ideal for quick and easy installation without disconnecting cables. The compact size is perfect for limited-space panels.



SPECIFICATIONS

| | |
|---|----------------------------------|
| Rated Input & Output | 333mV@ 50/100/150A AC |
| Accuracy | 0.5% |
| Frequency Range | 50-1KHz |
| Window Size | 1.0 Inch |
| Case Material | Black Nylon |
| Rated Voltage | 600 Vac, Category III |
| Note: Do not use 600V class CT in application with voltage greater than 600V L-L | |
| Operating Temperature | -15°C - 60°C |
| Certifications | UR & CE approved, RoHS compliant |

DIMENSIONS



ORDERING INFORMATION

| Ordering Number: | Rated Input | |
|---------------------------------|-------------|-------|
| AcuCT- H063 - | | : 333 |
| Ordering Example: AcuCT- H063 - | 50 | : 333 |
| | 50: 50A | |
| | 100: 100A | |
| | 150: 150A | |



Accuenergy Corp.

Los Angeles-Toronto-Beijing

North America Toll Free: 1-877-721-8908

Web: www.accuenergy.com

Email: marketing@accuenergy.com

ACCUEENERGY
Your Power and Automation Partner

AcuSplitCT Series 100/120/200/250A

Hinged Split Core Current Transformers

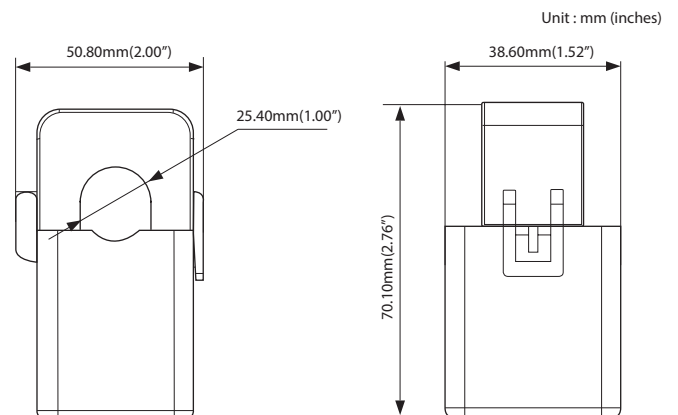
The Accuenergy hinged split core CTs are compact and low-cost current transformers with high accuracy. Designed with a single-click installation mechanism, the hinged CTs are ideal for quick and easy installation without disconnecting cables. The compact size is perfect for limited-space panels.



SPECIFICATIONS

| | |
|---|----------------------------------|
| Rated Input & Output | 333mV@ 100/120/200/250A AC |
| Accuracy | 0.5% |
| Frequency Range | 50-1KHz |
| Window Size | 1.0 Inch |
| Case Material | Black Nylon |
| Rated Voltage | 600 Vac, Category III |
| Note: Do not use 600V class CT in application with voltage greater than 600V L-L | |
| Operating Temperature | -15°C - 60°C |
| Certifications | UR & CE approved, RoHS compliant |

DIMENSIONS



ORDERING INFORMATION

| Ordering Number: | Rated Input | |
|---------------------------------|-------------|-------|
| AcuCT- H100 - | | : 333 |
| Ordering Example: AcuCT- H100 - | 120 | : 333 |
| | 100: 100A | |
| | 120: 120A | |
| | 200: 200A | |
| | 250: 250A | |



Accuenergy Corp.

Los Angeles-Toronto-Beijing

North America Toll Free: 1-877-721-8908

Web: www.accuenergy.com

Email: marketing@accuenergy.com

ACCUEENERGY
Your Power and Automation Partner

AcuSplitCT Series 200/400/600A Hinged Split Core Current Transformers

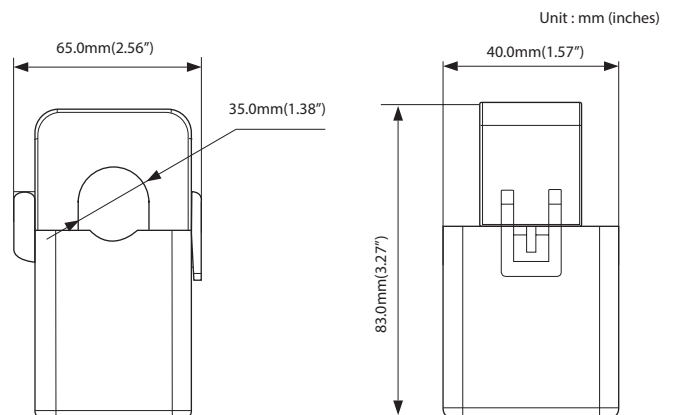
The Accuenergy hinged split core CTs are compact and low-cost current transformers with high accuracy. Designed with a single-click installation mechanism, the hinged CTs are ideal for quick and easy installation without disconnecting cables. The compact size is perfect for limited-space panels.



SPECIFICATIONS

| | |
|---|----------------------------------|
| Rated Input & Output | 333mV@ 200/400/600A AC |
| Accuracy | 0.5% |
| Frequency Range | 50-1KHz |
| Window Size | 1.0 Inch |
| Case Material | Black Nylon |
| Rated Voltage | 600 Vac, Category III |
| Note: Do not use 600V class CT in application with voltage greater than 600V L-L | |
| Operating Temperature | -15°C - 60°C |
| Certifications | UR & CE approved, RoHS compliant |

DIMENSIONS



ORDERING INFORMATION

| Ordering Number: | AcuCT- H138 | - | Rated Input | : | 333 |
|-------------------|-------------|---|-------------|---|-----|
| Ordering Example: | AcuCT- H138 | - | 200 | : | 333 |
| | | | 200: 200A | | |
| | | | 400: 400A | | |
| | | | 600: 600A | | |



Accuenergy Corp.

Los Angeles-Toronto-Beijing

North America Toll Free: 1-877-721-8908

Web: www.accuenergy.com

Email: marketing@accuenergy.com

ACCUEENERGY
Your Power and Automation Partner